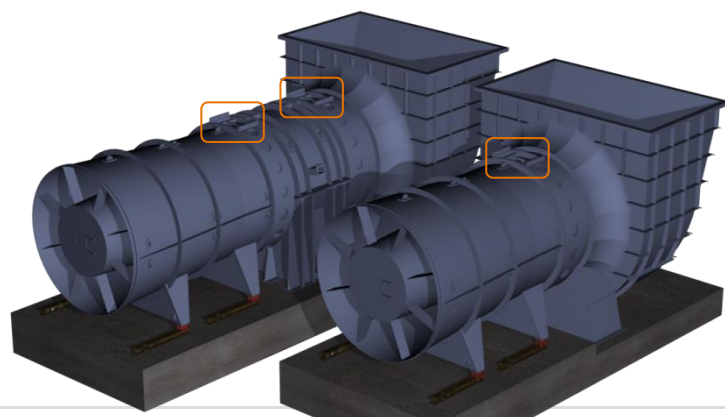




Increase safety with a backup cover for the blade access door



The backup cover is an additional safety feature that keeps personnel safe in case of blade failure.

If the worst should happen and there is a blade failure on site, the blades may exit through the blade access door in the impeller casing if the access door is not secured correctly. This can cause severe damage to personnel and equipment but a backup cover will prevent this from happening.

The backup cover is an extra safety feature that is mounted on top of the existing blade access door.

Imagine a blade failure where a blade exit through the blade access door. Unfortunately, we have seen this happening. Slurry flowed back into a fan and caused a serious blade failure. The blade access door was not secured correctly and a blade and some parts exited out the blade access door. Luckily no persons were injured during this incident but the equipment was severely damaged.

The incident happened because of a human error and since safety is a top priority for both our customers and for Howden, we have developed an extra backup cover which will prevent accidents like the above.

The solution

The backup cover is welded on the impeller casing close to the top of the existing blade access door. This means no modifications, drilling or cutting are required in the original fan parts.

The cover is made of strong heavy duty construction steel but still, the cover is easy to mount and can be used on all existing VARIAX fans without the use of special tools.

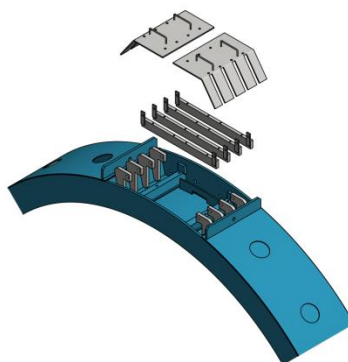
It can be mounted during a short shut-down of approx 1 work day.

Advantages

- Maximum safety in case of blade failure
- Easy to mount
- No drilling or cutting required on existing fan parts
- Back-up cover can be added by field welding
- Can be used on all VARIAX fans
- Robust materials and a self-locking design
- Quick to mount

An installation instruction is provided along with the backup cover.

The backup cover design

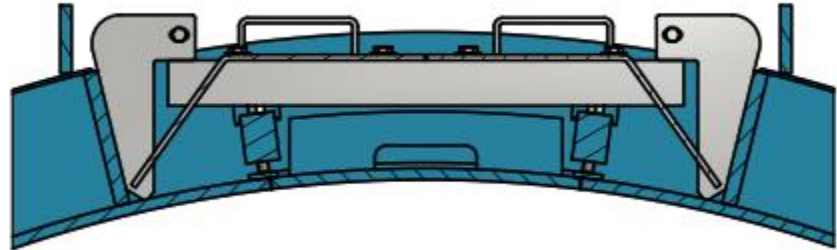


The backup cover is designed to ensure maximum safety and besides welding the cover to the impeller casing, the parts also interlock themselves to increase security.

Sectional drawing of the backup cover

Easy mounting

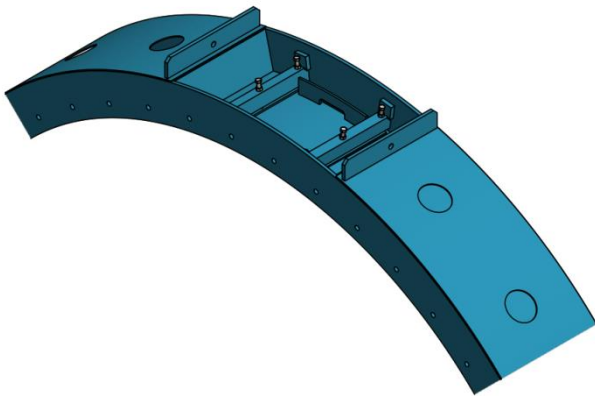
- The design of the backup cover allows easy installation as no cutting or machining is required in the fan parts and no special tools are needed.
- The backup cover is mounted on top of the existing blade access door



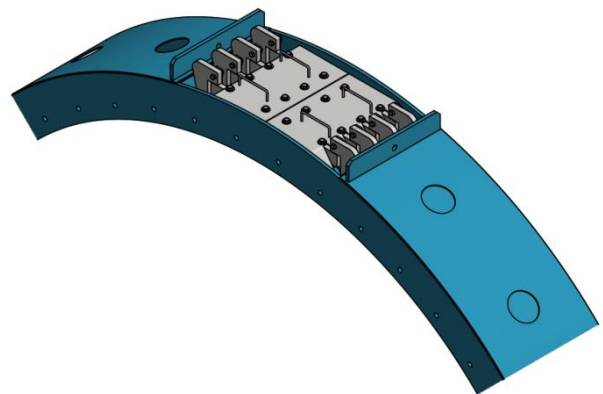
Right: The standard design is shown in turquoise and the parts of the backup cover are marked in grey.

The backup cover provides you maximum safety in case of blade failure.

Standard blade access door design



Design with backup cover mounted



For more information please **contact your local Howden office.**

This bulletin has been released by:
Howden Axial Fans ApS, Industrivej 23, DK-4700, Næstved, Denmark

Tel: +45 55 77 62 62

Web: www.howden.com

Email: howdenaxialfans@howden.com

Revolving Around You™