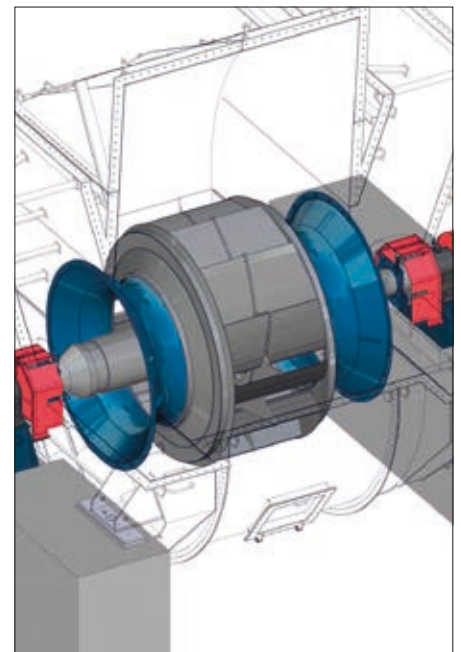


Centrifugal Fans: Aerofoil range

Process fans with backward-curved inclined aerofoil blades



Suitable for high flow rates from medium to low pressures, the aerofoil centrifugal fans operate all air and gas flows containing moderate amounts of erosive particles.

Key features

Backward-curved inclined aerofoil blades.

High flow capacity.

Design

Temperature: Up to 350°C.

Abrasion: Addition of wear plates.

Corrosion: Stainless steel option available.

Options

Drive: electric motor, gear box, fluid coupling, steam turbine.

Flow control: box vane control, radial vane control, frequency converter.

Silencer and acoustic lagging.

Control: bearing vibration, bearing temperature.

Lubrication oil unit.

Applications

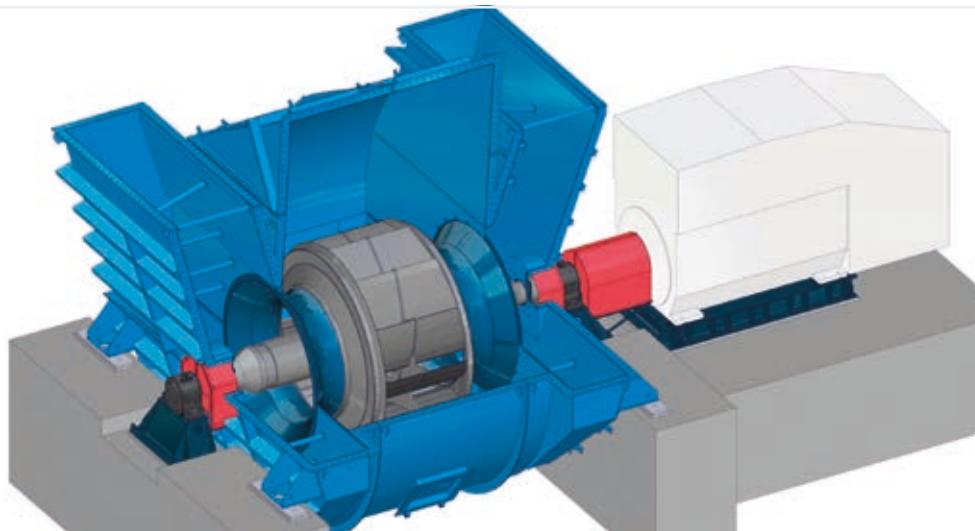
Steel: Blast furnace dedusting fan, ladle furnace dedusting fan.

Cement: Final exhaust fan, clinker cooler ID fan, raw mill fan, cement mill fan, filter ID fan.

Power generation: Boiler ID fan, FGD booster fan.

Oil & Gas: High-flow and medium pressure rise applications.

General industry: All applications with electrostatic precipitators or filter bags.



For further information contact our sales team

Tel: +33 (0)3 28 33 32 30
 Email: hfr.sales@howden.com
 Web: www.howden.com



Diameter

Up to 4.3 m.

Performance

Flow: Up to 550 m³/s.

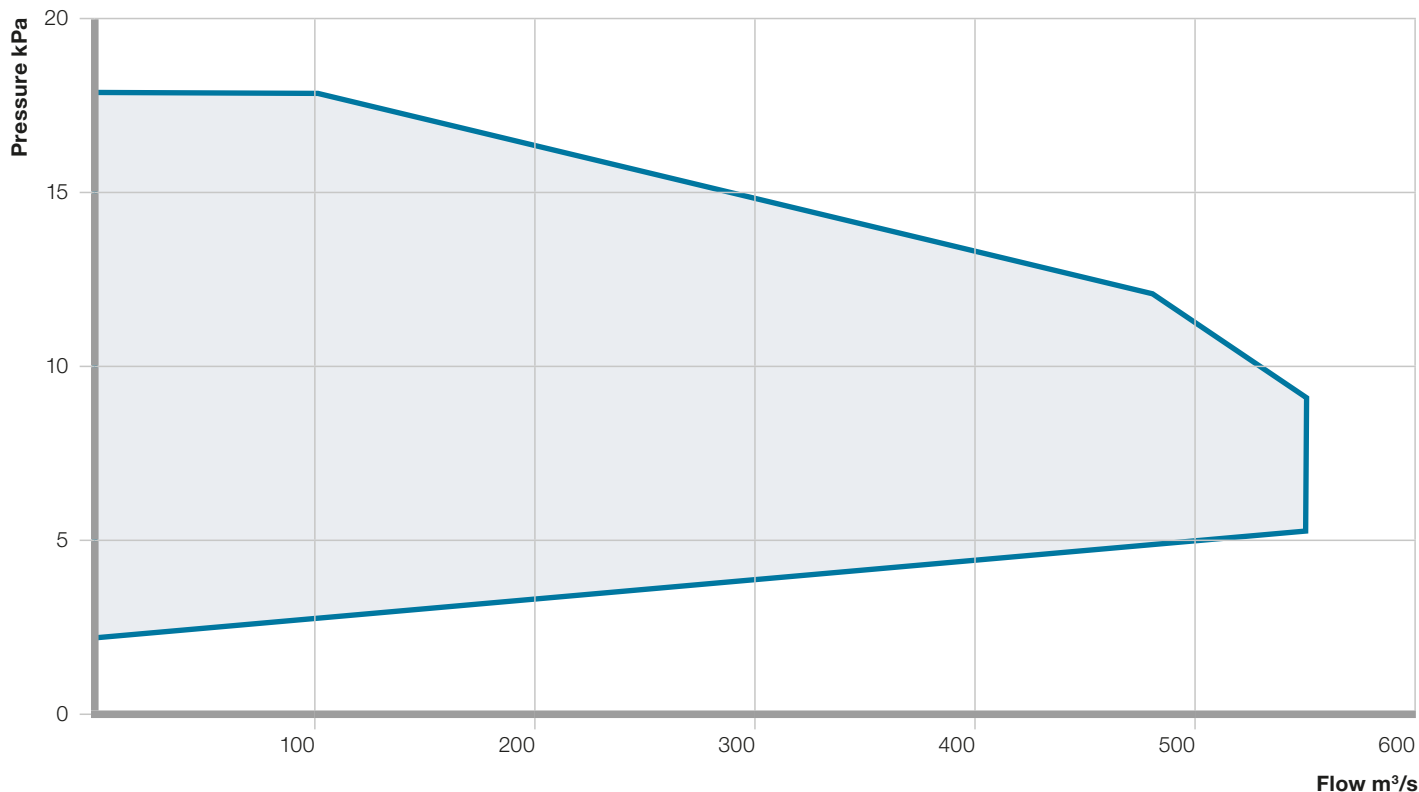
Pressure: Up to 18 kPa.

Power: Up to 7,000 kW.

Tip speed: Up to 180 m/s.



Aerofoil range performance envelope (pressure kPa vs flow m³/s)



Revolving Around You™